

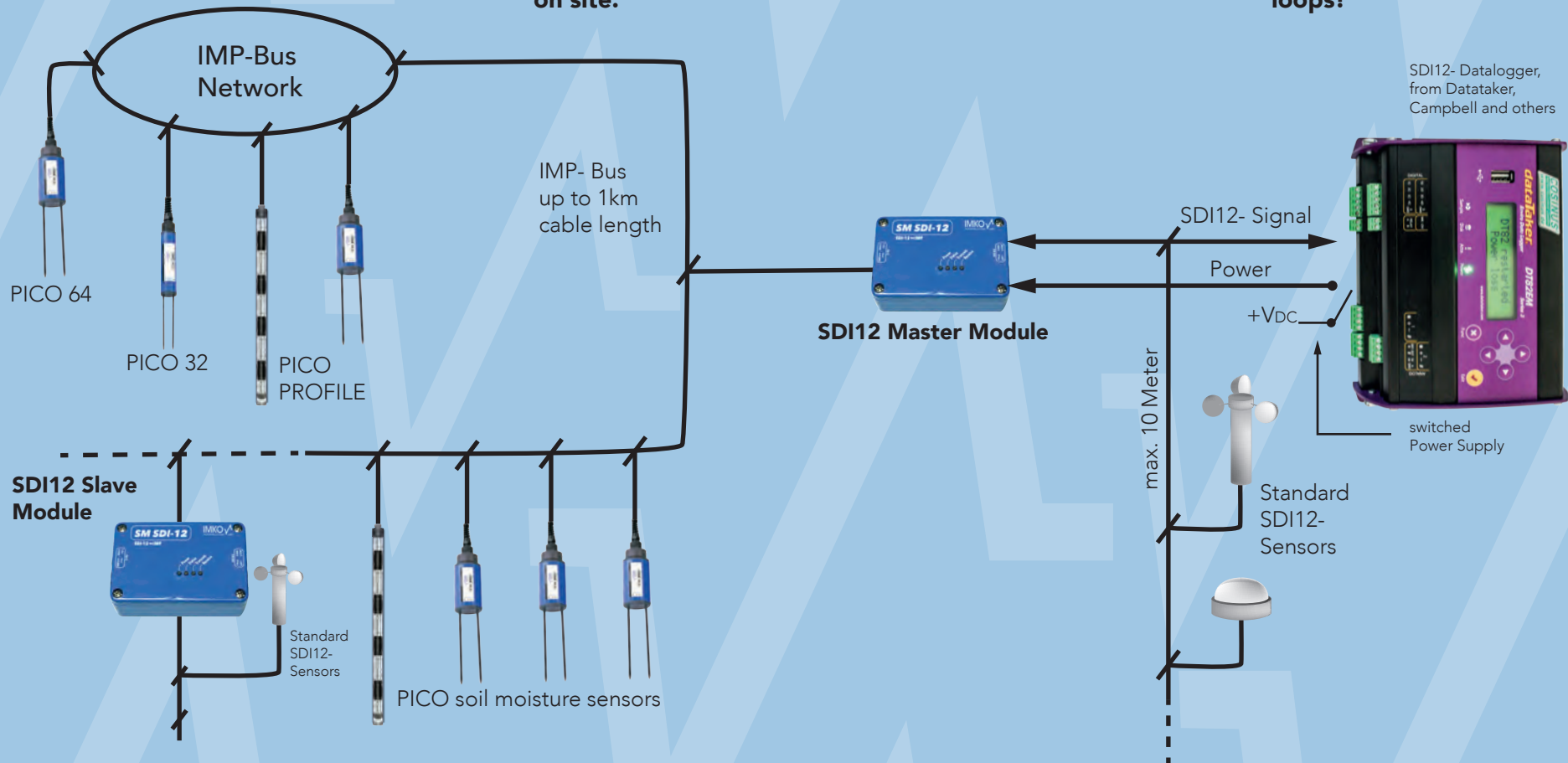
SDI12 Network Expansion for PICO Sensors

- Up to 62 PICO soil moisture sensors can be connected to only one SDI12-port at the datalogger.

- Up to 1 km cable length! Optional SDI12- Slave Module for the connection of standard SDI12- sensors on site.

- Simple cables can be used in topologies of ring, star and their combinations.

- Safe data transmission due to galvanic signal isolation and therefore no problems with signal disturbances or ground loops!



The advantages of the SDI12 interface:

- Easy and uncomplicated connectivity of sensors, directly in physical units. Without elaborate and susceptible analogue signals.
- Only two signal lines for connection of up to 62 sensors.
- Large choice of SDI12 sensors from various sensor manufacturers.

But in practice the SDI12 interface can cause significant problems:

- ⚡ Limitation of the number of sensors due to too weak SDI12 signal levels.
- ⚡ Limitation of the cable length to only 10 meter, dependent on topology.
- ⚡ Low noise immunity of the SDI12 signal.