



SONO M2

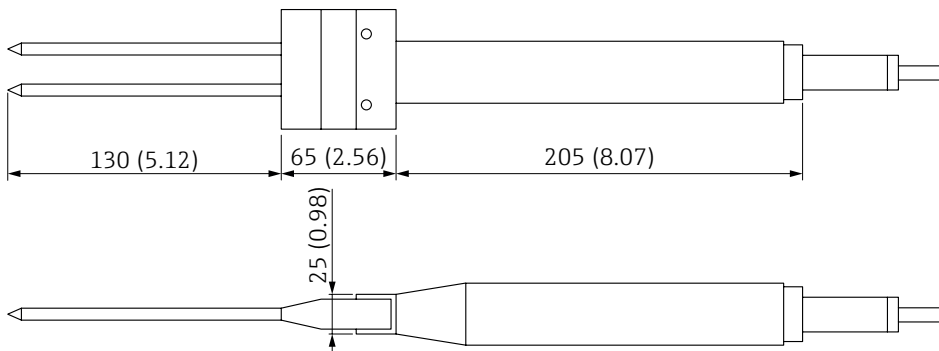


Article-No. 300254 (1,5 m cable)
Article-No. 300255 (3,0 m cable)

Advantages

- Easy commissioning
- Low maintenance
- High reliability
- High precision
- The probe is pre-calibrated
- Deeper engagement with materials

Technical drawing



Application

- Wood products (processed & solid)
- Sewage sludge >TS70
- **Powder & fine bulk goods**
- Pasta & Pre-products
- Coffee beans/-powder
- Granules & Low-density bulk solids
- **Grain & Animal feed**
- Sewage sludge <TS70
- Soil- & Substrate moisture
- **Ceramic raw materials**
- **Sand & Gravel**
- Foundry sand
- Fresh concrete
- **Mining/Ores**

Sensor variations

- SONO M2C (coated rods)



Parameter

Operating temperature	0 °C bis +50 °C
Power supply	+7 V bis +24 V DC
Special conditions	Probe rods in 200 mm length available (Art.-No. 300241)
Signal output	2x Analogue output 0(4) to 20 mA Output 1: Moisture in % Output 2: Temperature or optionally conductivity
Interfaces	RS485
Sensor dimension	63 x 320 mm (diameter x length)
Weight (Sensor)	0,56 kg
IP-Protection class	IP 68

Cleaning

- Wet cloths
- No high-pressure cleaner
- No CIP cleaning or aggressive cleaning agents

Safety notice

- Probes not allowed to be opened
- Stabilized DC power-supply
- Observe the instructions in the operating manual

Accessories

HD2

Mobiles Display (IP67)



Article-No. 300107

PICO BT

Bluetooth Module (IP65)



Article-No. 300090

SM-USB

Interface converter (IP 20)



Article-No. 308223 (+Adapter 300093)

Robust Carrying Case



Article-No. 998180

Telescope extension

up to 2 meters

Article-No. 308080

Telescope extension only for Article-No. 300255 (3,0 m cable)



IMKO Micromodultechnik GmbH
Am Reutgraben 2
76275 Ettlingen, Germany
Tel.: +49 7243 5921 0
info@imko.de

www.imko.de/en

