



SONO MIX Mini LD

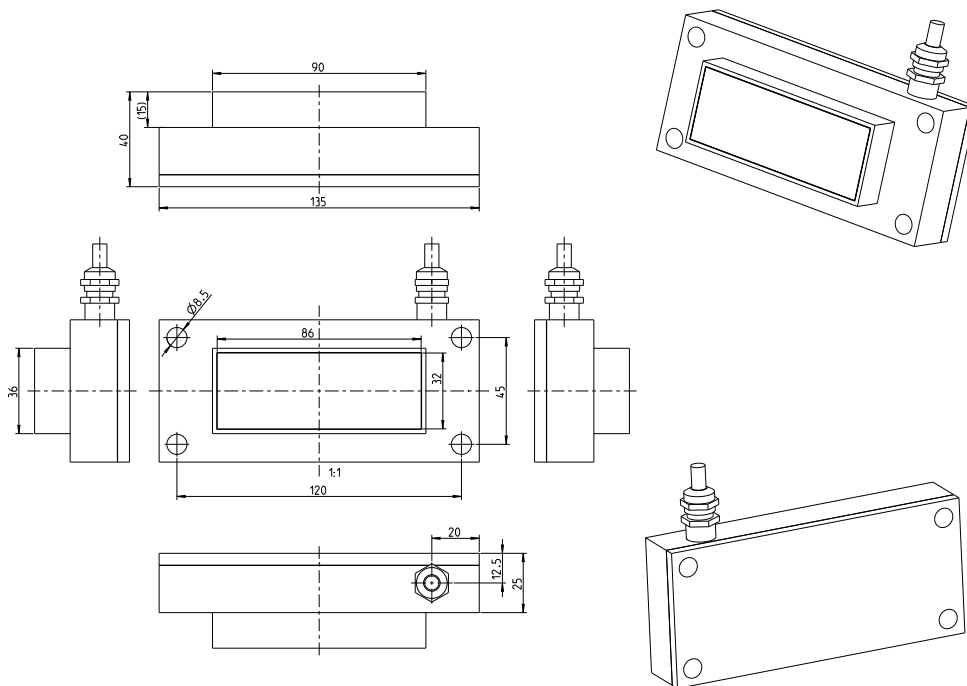


Article-No. 308104

Advantages

- Very compact inline moisture probe for mixer and conveyor screws
- Easy commissioning
- Low maintenance
- High reliability
- Wear does not require recalibration

Technical drawing



Application

- Wood products (processed & solid)
- Sewage sludge >TS70
- **Powder & fine bulk goods**
- Pasta & Pre-products
- Coffee beans/-powder
- **Granules & Low-density bulk solids**
- **Grain & Animal feed**
- Sewage sludge <TS70
- Soil- & Substrate moisture
- Ceramic raw materials
- Sand & Gravel
- Foundry sand
- Fresh concrete
- Mining/Ores

Sensor variations

- SONO ES MIX Mini LD (Art.-No. 998241)
- SONO-Ex MIX Mini LD (Art.-No. 998242)



Parameter

Operating temperature	0 °C to 70 °C (0 °C to 120 °C as SONO ES)
Power supply	+12 V to +24 V DC
Special conditions	0 °C to +120 °C for the high-temperature variant
Signal output	2x Analogue output 0(4) to 20 mA Output 1: Moisture in % Output 2: Temperature or optionally conductivity or standard deviation
Interfaces	RS485 or IMP-Bus
Sensor dimension	135 x 60 x 40 mm (length x width x height)
Weight (Sensor)	1,27 kg
IP-Protection class	IP 68

Installation

- Horizontal Mixers
- Hoppers
- Screw Conveyors
- Laboratory Mixers (for space-constrained applications)
- Material Hoppers
- Twin-Shaft Mixers
- Conveyor Belts

Cleaning

- If installed correctly, the sensor does not need to be cleaned
- Wet cloths
- No high-pressure cleaner
- No CIP cleaning or aggressive cleaning agents
- No concentrated jet-water

Safety notice

- Probes not allowed to be opened
- Stabilized DC power-supply
- Cable extension with shielded cable (twisted pair)
- Observe the instructions in the operating manual

Accessories

SONO VIEW

Display- and configuration unit (IP 20)



Article-Nr. 300131

SM-USB

Interface converter (IP 20)



Article-Nr. 308223

IMKO Micromodultechnik GmbH
Am Reutgraben 2
76275 Ettlingen, Germany
Tel.: +49 7243 5921 0
info@imko.de

www.imko.de/en