



# SONO VARIO Xtrem

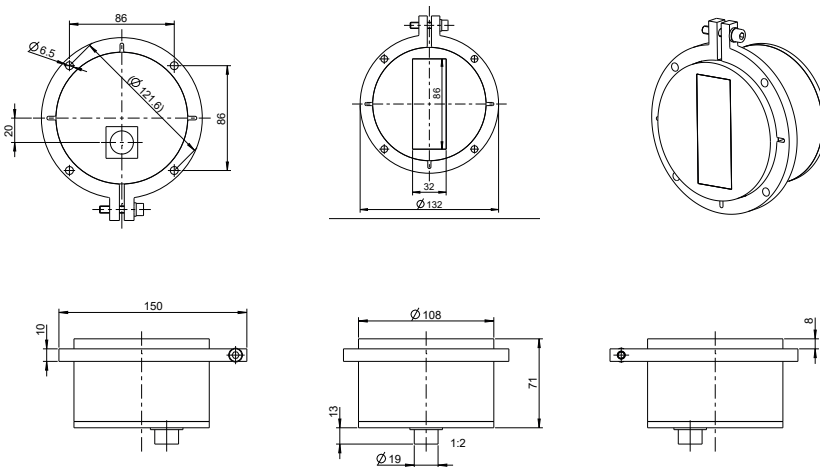


Article-No. 308074

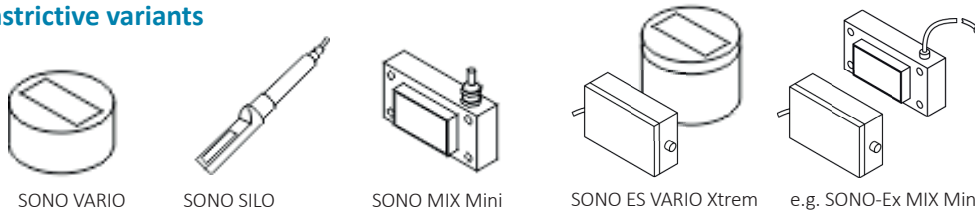
## Advantages

- Easy commissioning
- Pre-installed calibrations
- Long-term stability
- High precision
- Wear-resistant

## Technical drawing



## Constrictive variants



## Application

- Wood products (processed & solid)
- Sewage sludge >TS70
- Powder & fine bulk goods
- Pasta & Pre-products
- Coffee beans/-powder
- Granules & Low-density bulk solids
- Grain & Animal feed
- Sewage sludge <TS70
- Soil- & Substrate moisture
- **Ceramic raw materials**
- **Sand & Gravel**
- **Foundry sand**
- Fresh concrete
- Mining/Ores

## Sensor variations

- SONO VARIO (Art.-No. 308070)
- SONO SILO (Art.-No. 308050)
- SONO MIX Mini (Art.-No. 308094)
- SONO ES VARIO Xtrem (Art.-No. 308115)
- SONO ES MIX Mini (Art.-No. 308119)
- SONO-Ex MIX Mini (Art.-No. 998244)



## Parameter

<b>Operating temperature</b>	0 °C to 70 °C
<b>Power supply</b>	+12 V to +24 V DC, approx. 3 W
<b>Special conditions</b>	0 °C to +120 °C in high-temperature version
<b>Signal output</b>	2x Analogue output 0(4) to 20 mA <b>Output 1:</b> Moisture in % <b>Output 2:</b> Temperature or optionally conductivity or standard deviation
<b>Interfaces</b>	RS485 or IMP-Bus
<b>Sensor dimension</b>	Ø108 mm x 71 mm (without plug)
<b>Weight (Sensor)</b>	2,63 kg
<b>IP-Protection class</b>	IP 67

## Installation

- Below the silo gate
- On the dosing belt
- Drop-off conveyor belt
- With non-sticking materials in the funnel

## Cleaning

- If installed correctly, the sensor does not need to be cleaned
- Wet cloths
- No high-pressure cleaner
- No CIP cleaning or aggressive cleaning agents
- No concentrated jet-water

## Safety notice

- Probes not allowed to be opened
- Stabilized DC power-supply
- Operation altitude up to 2000 meters in above sea level
- Cable extension with shielded cable (twisted pair)
- Observe the instructions in the operating manual

## Accessories

### SONO VIEW

Display- and configuration unit (IP 20)



Article-No. 300131

### SM-USB

Interface converter (IP20)



Article-No. 308223

IMKO Micromodultechnik GmbH  
Am Reutgraben 2  
76275 Ettlingen, Germany  
Tel.: +49 7243 5921 0  
info@imko.de

[www.imko.de/en](http://www.imko.de/en)

SONO VARIO Xtrem\_05\_2026

